



Condensing Combined Downflow Warm Air Heater

with Domestic Hot Water.

sustainable solutions
under one roof

HEATING / HOT WATER / VENTILATION



Model Range

WARMCAIR MODELS	
Model	COMBINED DHW DOWNFLOW
C10DW	✓
C16DW	✓
C20DW	✓

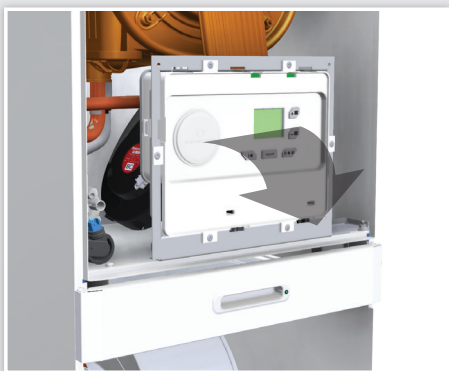
Features

- ✓ Up to 98% Thermal Efficiency
- ✓ Low Carbon & NOx Emissions
- ✓ Enhanced electronic control
- ✓ Fully modulating
- ✓ Electronic air cleaner option
- ✓ Room Sealed
- ✓ Available up to 20kW
- ✓ Summer air circulation facility
- ✓ Condensing pump included as standard

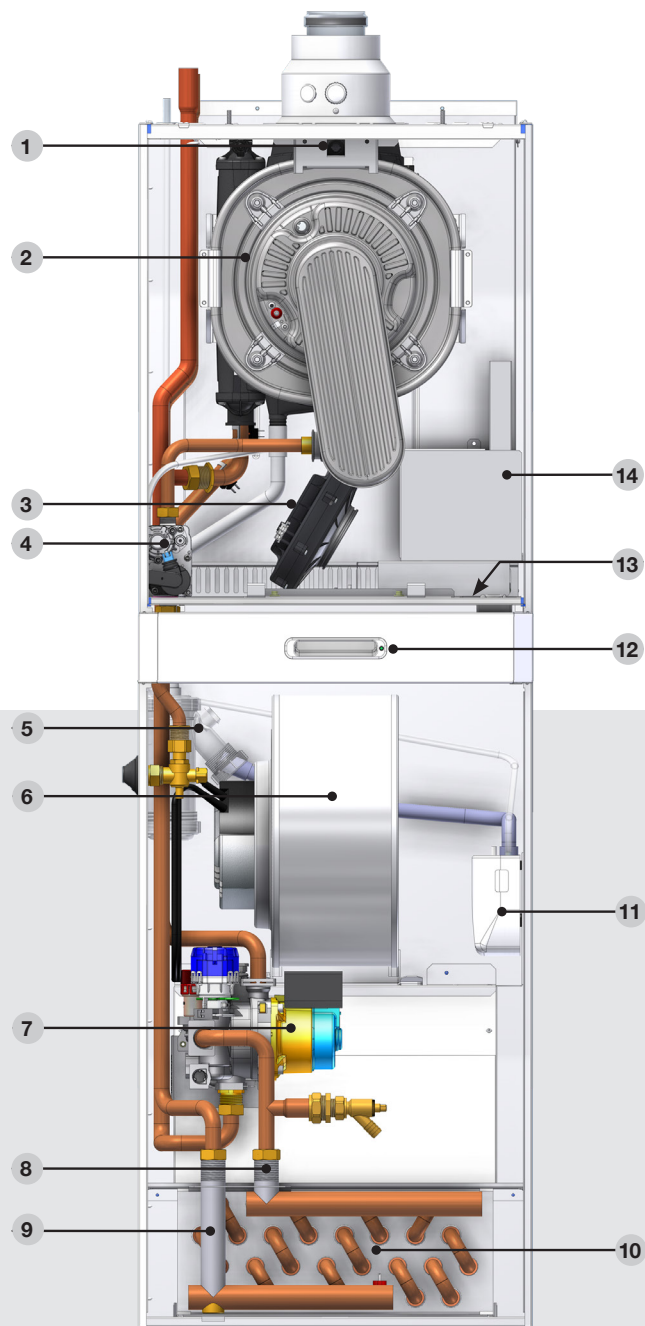


WarmCair C16DW Internal View

- 1. Flue Sensor
- 2. Water Heat Generator
- 3. Combustion Air Fan
- 4. Gas Valve
- 5. Condensate Trap
- 6. Air Circulation Fan
- 7. Pump
- 8. Hot water return from heat source
- 9. Hot water flow from heat source
- 10. Warm Air Heat Exchanger
- 11. Condensate Pump
- 12. Electronic Air Filter & LED
- 13. PCB Board
- 14. Warm Air PCB Board



To gain access into the unit the control panel slide forward and drops down.



Technical Data

COMBINED SPACE & DHW DOWNFLOW CONDENSING WARM AIR HEATERS			
	C10DW	C16DW	C20DW
Output kW	10	16	20
Dimensions H x W x D	1355 x 316 x 550	1350 x 445 x 515	1350 x 483 x 628
Flue Diameter	60/100mm	60/100mm	60/100mm



In the interest of continuous development Johnson & Starley reserve the right to change specification without prior notice.

Johnson & Starley Ltd. Rhosili Road, Brackmills, Northampton NN4 7LZ
Telephone: 01604 762881 Fax 01604 767408