

Decentralised Extract Ventilation

- Low Energy Consumption
- Continuous Silent Running
- 1 Fan For All Wet Rooms



E1004



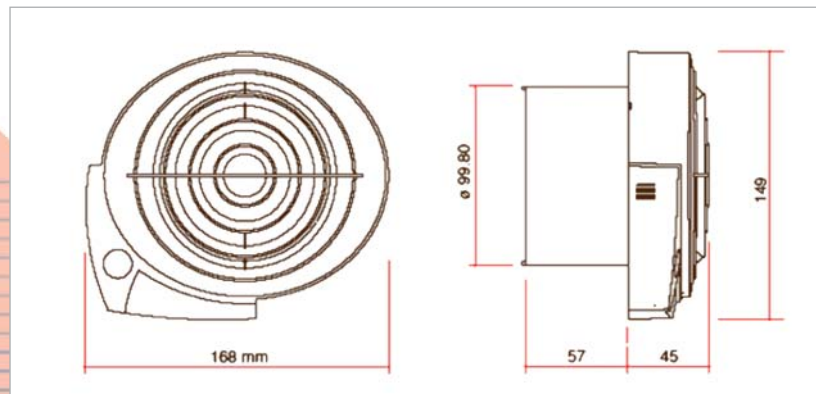
A1003

RELIABILITY YOU CAN TRUST

Decentralised Extract Ventilation requires continuous running extract fan in wet rooms i.e. Bathroom, Kitchen, Utility Room and W.C. Both the A1003 and E1004 meet this requirement and also satisfy building regulations for this type of ventilation strategy.

Both fans are silent running 3 speed and designed to run continuously at one of a choice of 2 lower speeds (depending upon installation requirements). The user can then boost the fan speed to its maximum performance when required.

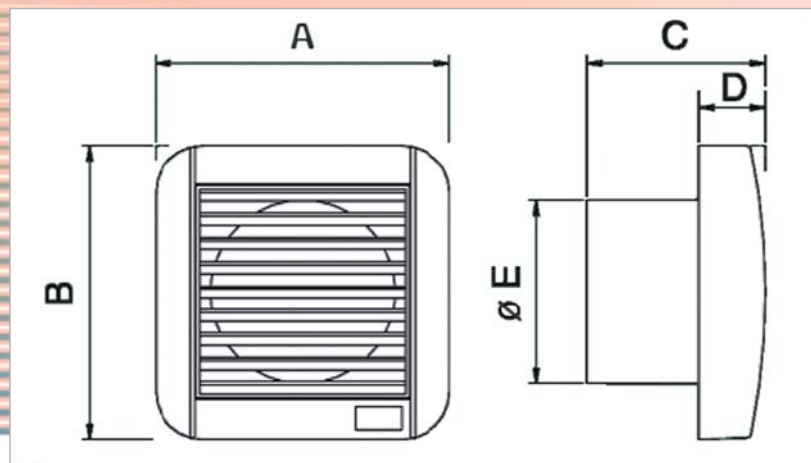
E1004 Dimensions & Specification



- SAP Appendix Q Listed
- Low Energy Consumption
- For All Domestic Wet Rooms
- Silent Continuous Running
- Mains And LV Versions
- For Wall and Ceiling Mounting

Model	Airflow m ³ /hr			Airflow l/sec			Power - Watts			Sound Pressure dbA (@ 3m in open field)		
	Speed 1	Speed 2	Boost	Speed 1	Speed 2	Boost	Speed 1	Speed 2	Boost	Speed 1	Speed 2	Boost
E1004	36	60	92	10	16	26	3.8	5.3	7.5	16	19	29

A1003 Dimensions & Specification



- Low Energy Consumption
- For All Domestic Wet Rooms
- Silent Continuous Running
- Mains And LV Versions
- For Wall, Ceiling and Window Mounting

A	155
B	155
C	92
D	35
Ø	97
kg	0.5

Low Speed 1			Low Speed 2			Max Speed		
1/sec	Pa	watts	1/Sec	Pa	watts	1/Sec	Pa	watts
9	4	2.6	12	14	4.8	25	27	11

RELIABILITY YOU CAN TRUST

Rhosili Road, Brackmills, Northampton NN4 7LZ Telephone: 01604 762881 Fax: 01604 767408

In the interests of continuous development Johnson & Starley reserve the right to change specification without prior notice.

Publication No. ZZ1366
May 2010