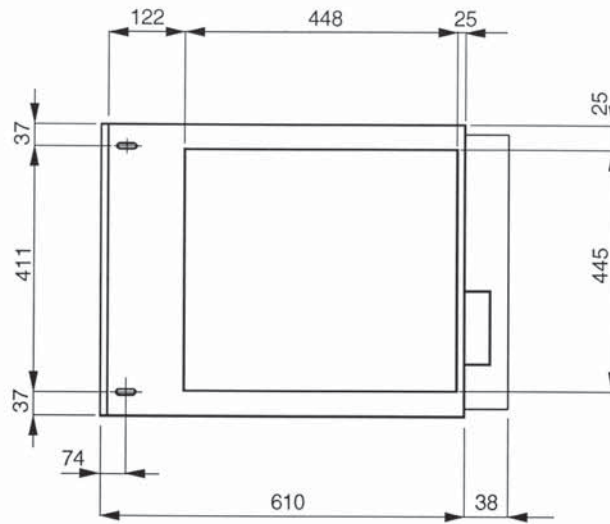
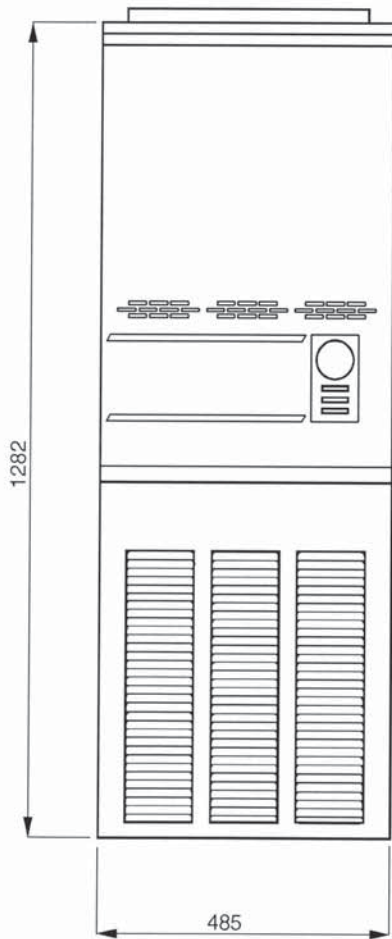


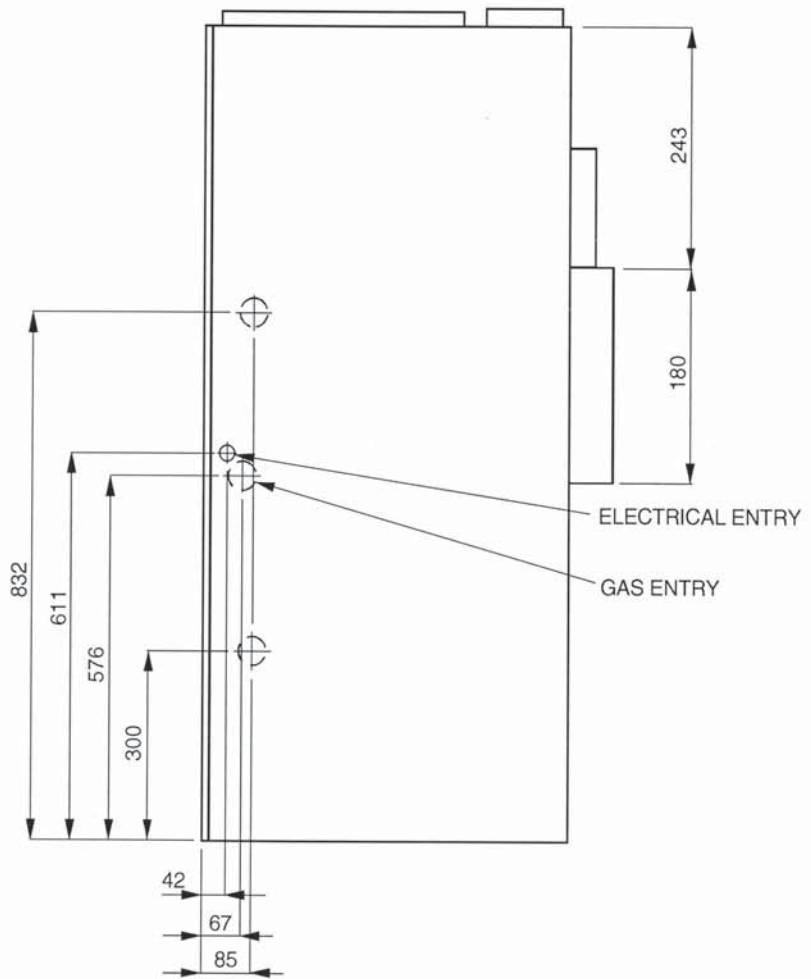
PLAN VIEW



BASE VIEW



FRONT VIEW



SIDE VIEW

Fig. 7, PRINCIPAL DIMENSIONS (mm)